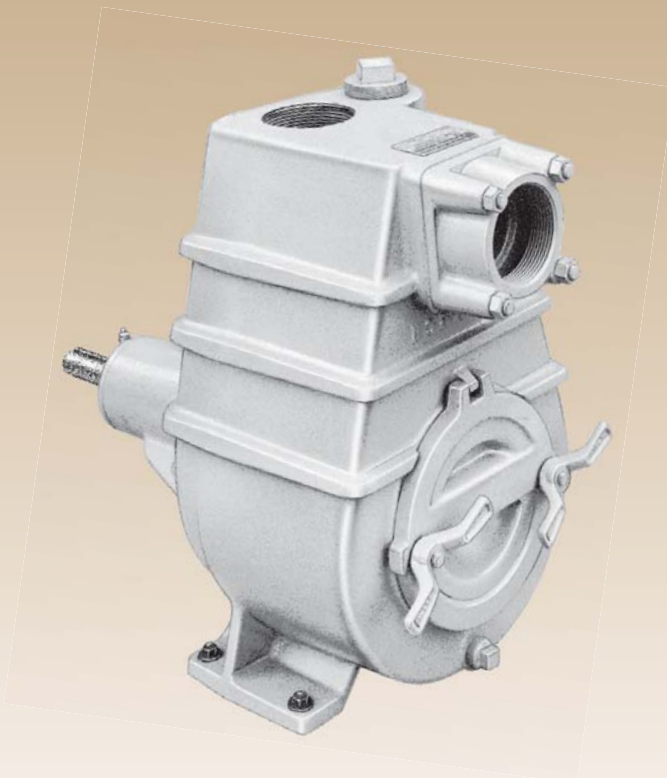
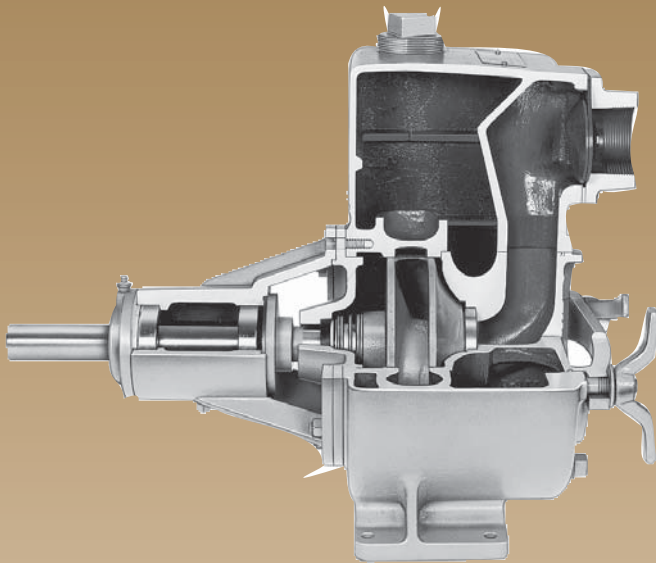


Industrial

TT Series



Applications

The Monarch TT Series of self priming trash pumps are made of heavy duty, all iron construction making them excellent for a wide variety of installations including industrial, commercial and marine applications where solids handling is important.

Features

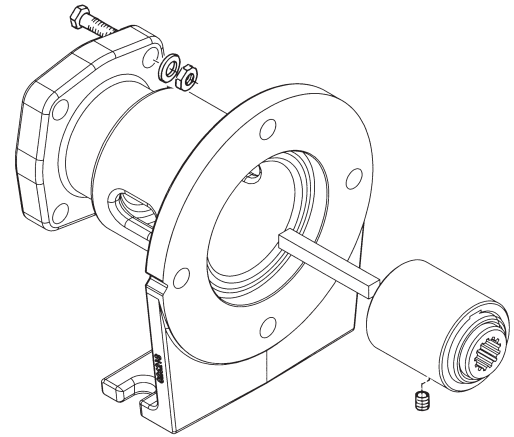
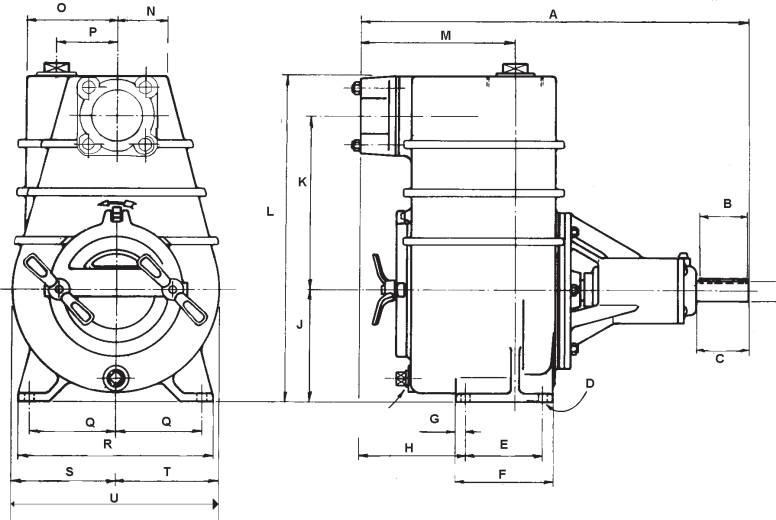
- **CASING** – Cast gray iron with extra reinforcing ribs for added strength, large capacity for faster priming.
- **BEARINGS** – Two heavy duty sealed ball bearings.
- **CLEAN OUT COVER** – Wing nuts enable removal, no wrenches required, for quick access, inspection or clean out.
- **PRIMING PLUG** – Enables priming without the removal of the discharge piping.
- **WEAR RING** – Replaceable, maintains pump efficiency.
- **CHECK VALVE** – Built-in with threaded NPT suction inlet, prevents syphoning, facilitates priming.
- **SEAL** – Viton, stainless steel, carbon-ceramic.
- **SHAFT** – Stainless steel, with keyway.
- **IMPELLER** – Enclosed cast gray iron, two vane type capable of handling spherical solids. Unique design eliminates need for wear plate, for higher efficiency.



MONARCH

Little GIANT
Pumps. People. Partnerships.

Dimensional Outline



Hydraulic Motor Adapter Kit (612881)

Model No.	Discharge (NPT)	Suction (NPT)	Priming Plug NPT	Drain Plug NPT	Keyway	A	B	C	D	E	F	G	H	J	K	L	M	N	O	P	Q	R	S	T	U
TT-20	2"	2"	1 1/2"	3/4"	1/4"	21.40	1.25	3.00	0.44	4.00	5.00	-	4.87	5.75	13.00	16.25	9.50	3.00	3.25	4.25	9.50	10.75	0.50	-	-
TT-30	3"	3"	2"	3/4"	1/4"	24.75	3.00	3.50	0.56	4.75	4.75	.625	6.56	6.90	9.47	20.13	9.56	3.13	5.63	3.75	5.38	12.00	6.63	6.38	-
TT-40	4"	4"	2"	3/4"	3/8"	30.06	3.00	3.50	0.56	7.25	7.25	-	6.69	9.00	14.25	26.5	11.81	5.00	7.25	4.75	7.75	17.5	-	-	17.75

*Dimensions measured in inches

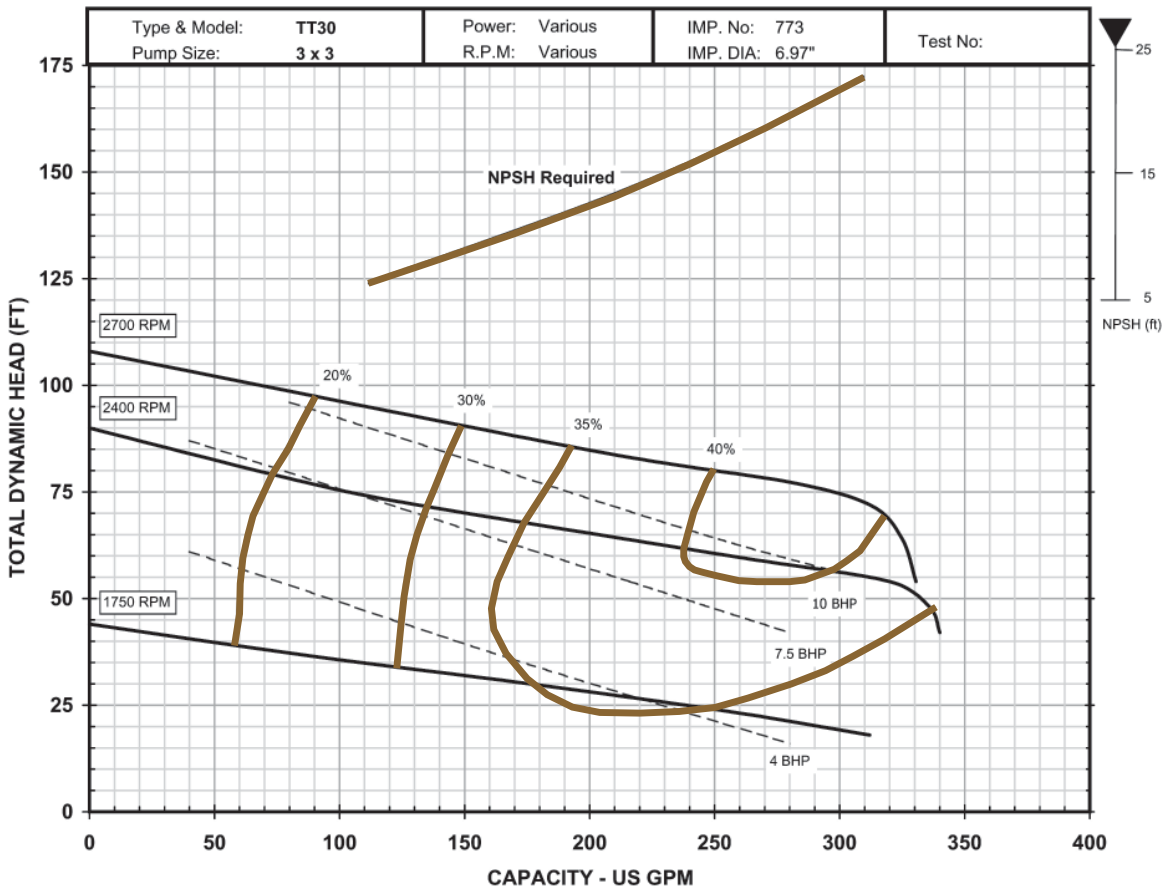
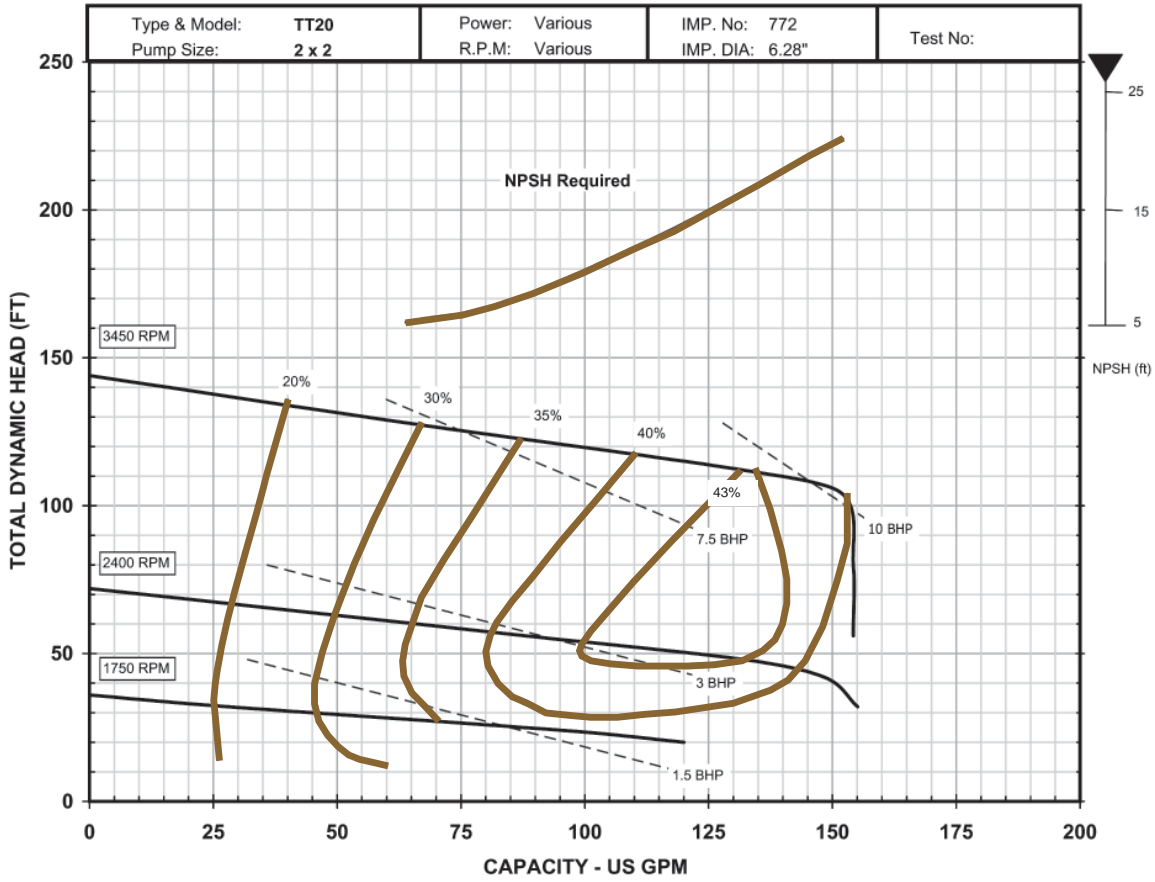
Performance

Model No.	Pump RPM	Max. Req'd HP	Total Head in Feet Including Friction Loss.																						
			20	40	60	80	100	120	140	160	180														
TT-20	1750	2	120	-	-	-	-	-	-	-	-	-	-	-	-	-	-	-	-	-	-	-	-	-	-
	3450	10	-	-	155	155	155	100	20	-	-	-	-	-	-	-	-	-	-	-	-	-	-	-	-
TT-30	1750	5	280	45	-	-	-	-	-	-	-	-	-	-	-	-	-	-	-	-	-	-	-	-	-
	2700	20	-	-	330	250	55	-	-	-	-	-	-	-	-	-	-	-	-	-	-	-	-	-	-
TT-40	1750	15	-	680	400	10	-	-	-	-	-	-	-	-	-	-	-	-	-	-	-	-	-	-	-
	2400	40	-	-	-	740	695	455	95	-	-	-	-	-	-	-	-	-	-	-	-	-	-	-	-

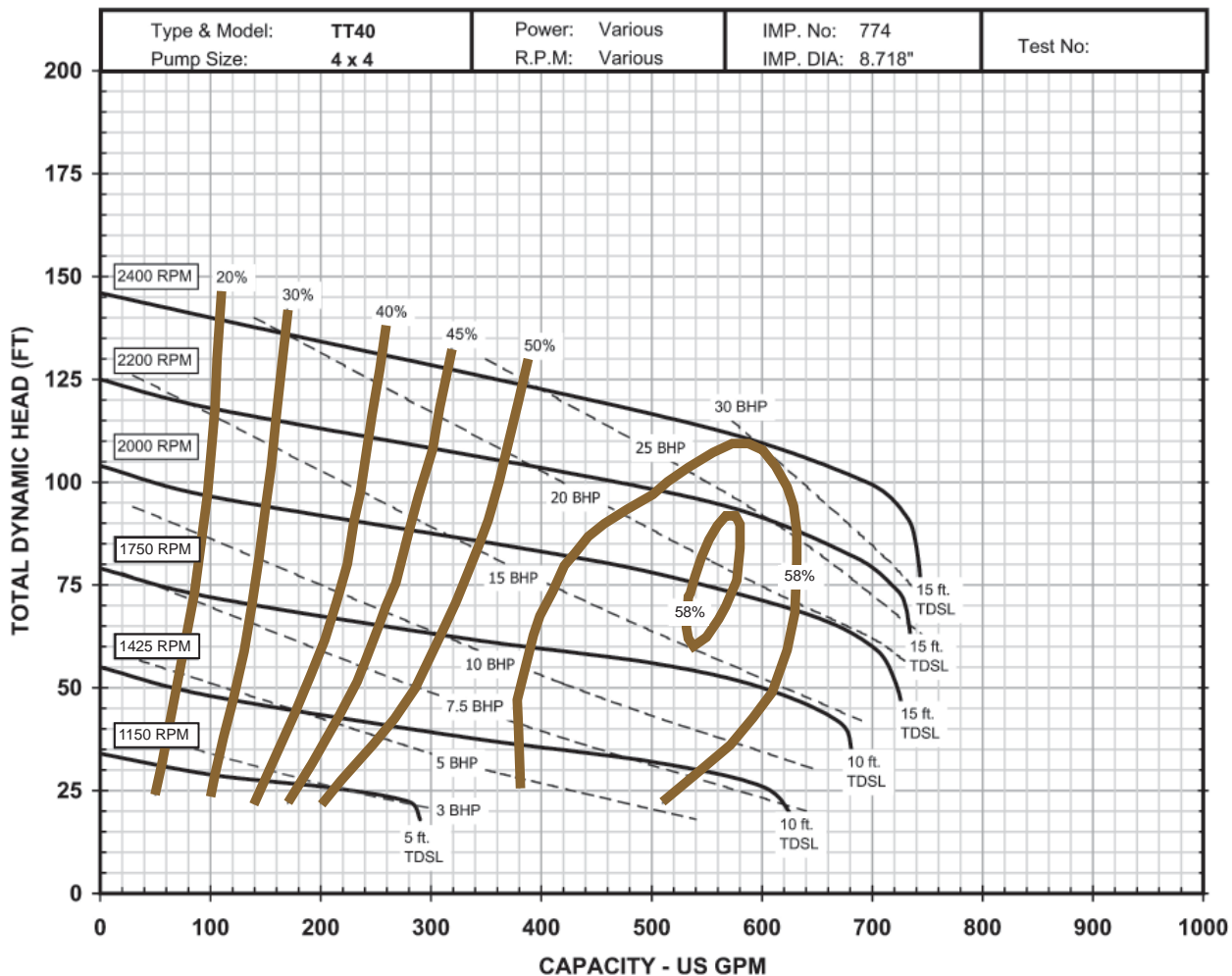
TT Series - Frame Mount Trash Pumps

Model No.	Item No.	Suction & Discharge NPT	Solids Handling	Shaft Diameter	Shaft Length	Key Size	Ship Wt. (lbs.)
TT-20	608861	2"	1 1/8"	1 1/4"	3"	1/4"	129
TT-30	608931	3"	2"	1 1/4"	3 1/2"	1/4"	190
TT-40	608911	4"	3"	1 5/8"	3 1/2"	3/8"	420
Hydraulic Adapter	612881	Includes bracket and coupling used to couple hydraulic motor with SAE J744C mounting flange to TT-40.					

Performance Data



Performance Data, ctd.



Franklin Electric

P.O. Box 12010
 Oklahoma City, OK 73157-2010
 Phone: 1.800.701.7894
 Fax: 1.800.678.7867
 www.LittleGiantPump.com